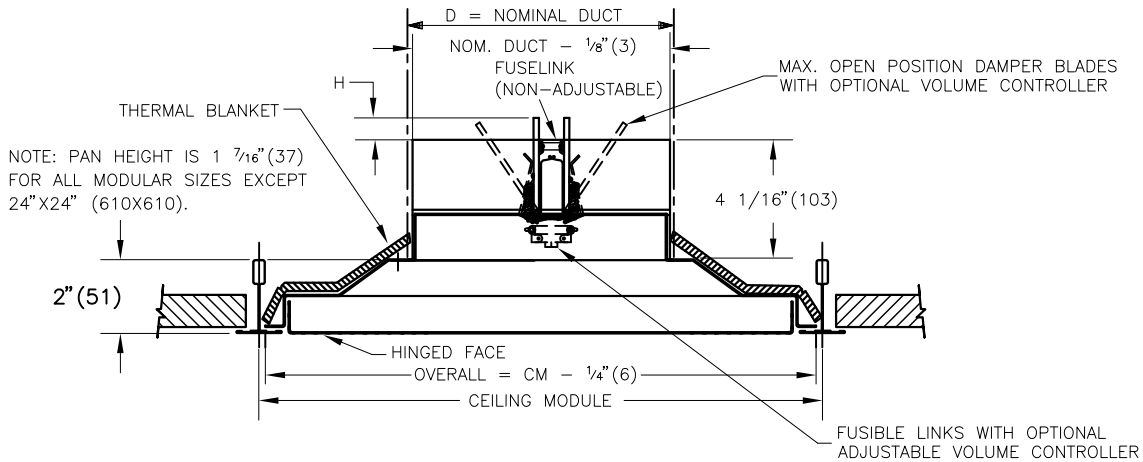


PDDR-FR PERFORATED DIFFUSER, DUCTED RETURN, FIRE RATED ASSEMBLY



NOTE: PAN HEIGHT IS 1 7/16" (37) FOR ALL MODULAR SIZES EXCEPT 24" X 24" (610 X 610).

		D SQUARE DUCT					D ROUND DUCT						
		6x6 (152x152)	8x8 (203x203)	10x10 (254x254)	12x12 (305x305)	14x14 (356x356)	15x15 (381x381)	6" (152)	8" (203)	10" (254)	12" (305)	14" (356)	15" (381)
<input type="checkbox"/>	CEILING MODULE (CM)												
<input type="checkbox"/>	IMPERIAL	12x12 (305x305)	•					•					
<input type="checkbox"/>		20x20 (505x508)	•	•				•	•	•			
<input type="checkbox"/>		24x24 (610x610)	•	•	•			•	•	•	•	•	•
<input type="checkbox"/>	METRIC	300x300	•					•					
<input type="checkbox"/>		500x500	•	•	•			•	•	•			
<input type="checkbox"/>		600x600	•	•	•	•	•	•	•	•	•	•	•

ROUND NECK		SQUARE NECK	
NOM. DUCT	H	NOM. DUCT	H
6 (152)	1 (25)	6 X 6	2
8 (203)	2 (51)	(152 X 152)	(51)
10 (254)	3 (76)	8 X 8	3
12 (305)	4 (102)	(203 X 203)	(76)
14 (356)	5 (127)	10 X 10	4
15 (381)	5 1/2 (140)	(254 X 254)	(102)
		12 X 12	5
		(305 X 305)	(127)
		14 X 14	6
		(356 X 356)	(152)
		15 X 15	6 1/2
		(381 X 381)	(165)

MATERIAL:

- STEEL CONSTRUCTION
- CEILING RADIATION DAMPER: BUTTERFLY TYPE.
- THERMAL BLANKET: NON ASBESTOS

FINISH:

- B12 WHITE (OPTIONAL FINISHES AVAILABLE)

OPTION:

- ADJUSTABLE VOLUME CONTROLLER (ALLEN KEY ADJUSTABLE)
- 165°F (74°C) FUSIBLE LINK (STANDARD)
- 212°F (100°C) FUSIBLE LINK

NOTE:

- FIRE RATED 3 HOUR.
- UL CLASSIFIED FIRE RATED CEILING DIFFUSER ASSEMBLY. LISTED IN UNDERWRITERS LABORATORIES FIRE RESISTANCE DIRECTORY.
- ULC CLASSIFIED FIRE RATED CEILING DIFFUSER ASSEMBLY. LISTED IN UNDERWRITERS OF CANADA LABORATORIES LIST OF EQUIPMENT AND MATERIALS.
- DUCT: STEEL OR FLEXIBLE DUCT CONNECTIONS. AS PER FIRE RATED DESIGN REQUIREMENTS.
- INSTALLATION INSTRUCTIONS: SEE SUBMITTAL 228791
- FIRE RATED DIFFUSERS ARE TO BE INSTALLED IN FIRE RATED T-BAR APPLICATIONS ONLY.

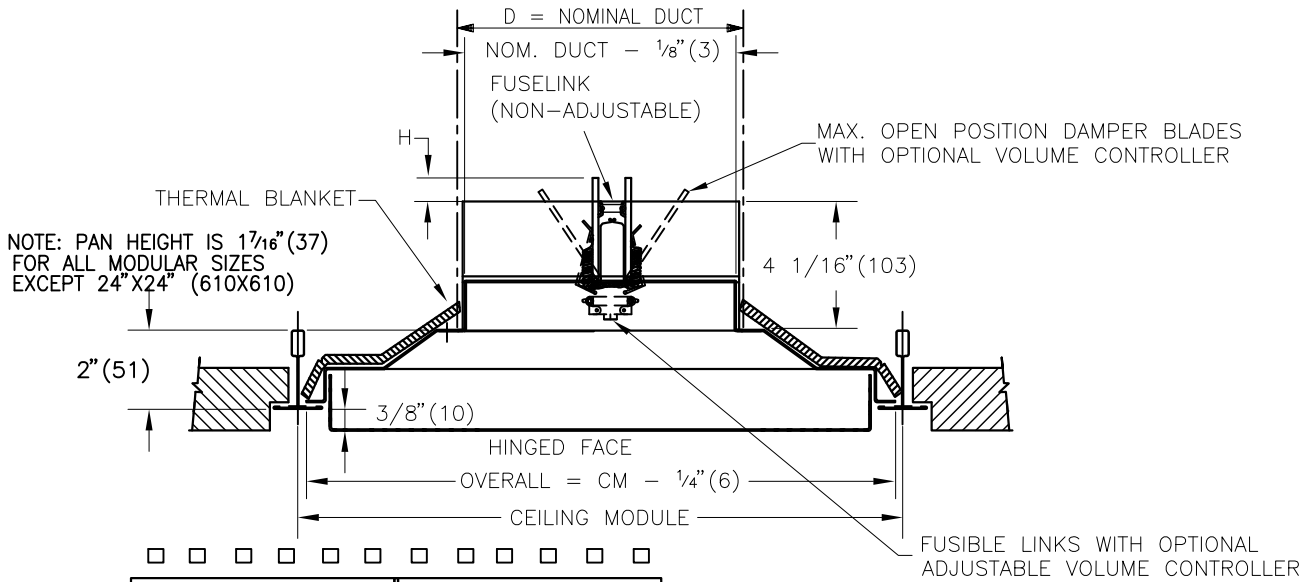


ALL METRIC DIMENSIONS () ARE SOFT CONVERTED. IMPERIAL DIMENSIONS ARE CONVERTED TO METRIC AND ROUNDED TO THE NEAREST MILLIMETER.

PROJECT:		PRICE®	
ENGINEER:			
CUSTOMER:		228728	
SUBMITTAL DATE:	SPEC. SYMBOL:	2015/03/31	

PDDR-FR
PERFORATED DIFFUSER
DUCTED RETURN
FIRE RATED

PDDRE-FR PERFORATED DIFFUSER, DUCTED RETURN, FIRE RATED ASSEMBLY



		D SQUARE DUCT						D ROUND DUCT					
		6x6 (152x152)	8x8 (203x203)	10x10 (254x254)	12x12 (305x305)	14x14 (356x356)	15x15 (381x381)	6" (152)	8" (203)	10" (254)	12" (305)	14" (356)	15" (381)
<input type="checkbox"/>	CEILING MODULE (CM)												
<input type="checkbox"/>	IMPERIAL	12x12 (305x305)	•					•					
<input type="checkbox"/>		20x20 (505x508)	•	•	•			•	•	•			
<input type="checkbox"/>		24x24 (610x610)	•	•	•	•	•	•	•	•	•	•	•
<input type="checkbox"/>	METRIC	300x300	•					•					
<input type="checkbox"/>		500x500	•	•	•			•	•	•			
<input type="checkbox"/>		600x600	•	•	•	•	•	•	•	•	•	•	•

ROUND NECK		SQUARE NECK	
NOM. DUCT	H	NOM. DUCT	H
6 (152)	1 (25)	6 X 6 (152 X 152)	2 (51)
8 (203)	2 (51)	8 X 8 (203 X 203)	3 (76)
10 (254)	3 (76)	10 X 10 (254 X 254)	4 (102)
12 (305)	4 (102)	12 X 12 (305 X 305)	5 (127)
14 (356)	5 (127)	14 X 14 (356 X 356)	6 (152)
15 (381)	5 1/2 (140)	15 X 15 (381 X 381)	6 1/2 (165)

MATERIAL:

- STEEL CONSTRUCTION
- CEILING RADIATION DAMPER: BUTTERFLY TYPE.
- THERMAL BLANKET: NON ASBESTOS

FINISH:

- B12 WHITE (OPTIONAL FINISHES AVAILABLE)

OPTION:

- ADJUSTABLE VOLUME CONTROLLER (ALLEN KEY ADJUSTABLE)
- 165°F (74°C) FUSIBLE LINK (STANDARD)
- 212°F (100°C) FUSIBLE LINK

NOTE:

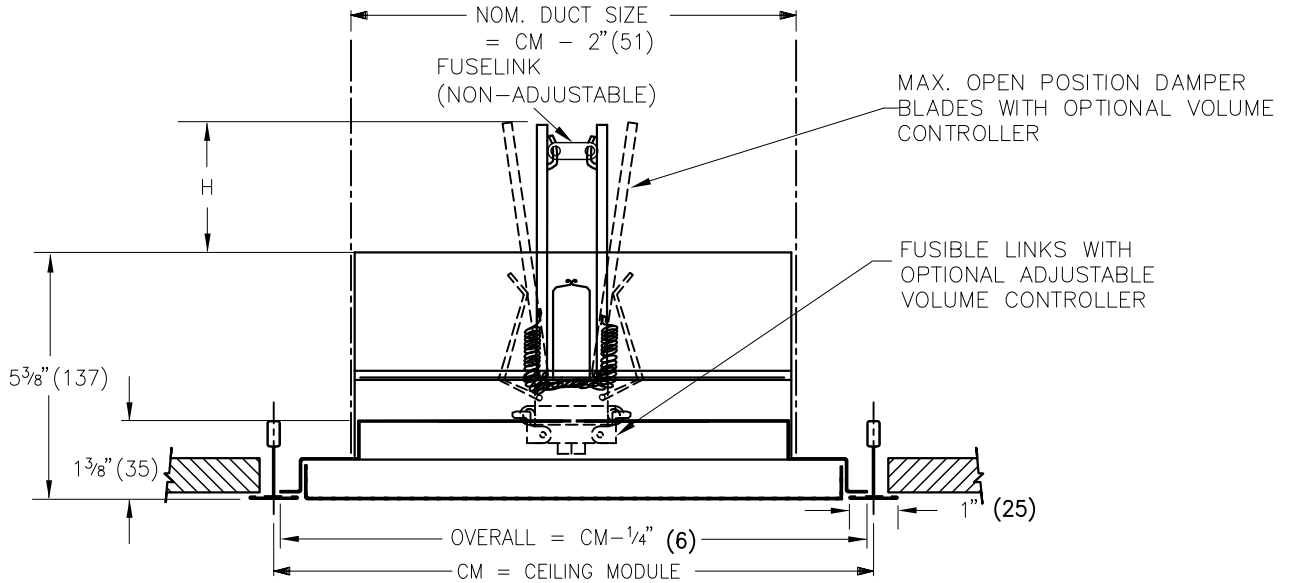
- FIRE RATED 3 HOUR.
- UL CLASSIFIED FIRE RATED CEILING DIFFUSER ASSEMBLY. LISTED IN UNDERWRITERS LABORATORIES FIRE RESISTANCE DIRECTORY.
- ULC CLASSIFIED FIRE RATED CEILING DIFFUSER ASSEMBLY. LISTED IN UNDERWRITERS OF CANADA LABORATORIES LIST OF EQUIPMENT AND MATERIALS.
- DUCT: STEEL OR FLEXIBLE DUCT CONNECTIONS AS PER FIRE RATED DESIGN REQUIREMENTS.
- INSTALLATION INSTRUCTIONS: SEE SUBMITTAL 228791
- FIRE RATED DIFFUSERS ARE TO BE INSTALLED IN FIRE RATED T-BAR APPLICATIONS ONLY.



ALL METRIC DIMENSIONS () ARE SOFT CONVERTED. IMPERIAL DIMENSIONS ARE CONVERTED TO METRIC AND ROUNDED TO THE NEAREST MILLIMETER.

PROJECT:		PRICE®	
ENGINEER:		 228729	PDDRE-FR PERFORATED DIFFUSER DUCTED RETURN EXTENDED FACE FIRE RATED
CUSTOMER:			
SUBMITTAL DATE:	SPEC. SYMBOL:	2015/03/31	

PDDR-FR PLENUM RETURN PERFORATED FIRE RATED DIFFUSER ASSEMBLY



	CEILING MODULE (CM)	NOM. DUCT SIZE (SQUARE)
<input type="checkbox"/>	12x12 (305x305)	10x10 (245x245)
<input type="checkbox"/>	24x12 (610x305)	22x10 (559x254)
<input type="checkbox"/>	16x16 (406x406)	14x14 (356x356)
<input type="checkbox"/>	20x20 (508x508)	18x18 (547x547)
<input type="checkbox"/>	24x24 (610x610)	22x22 (559x559)
<input type="checkbox"/>	300 x 300	249x249
<input type="checkbox"/>	600 x 300	549x549
<input type="checkbox"/>	400 x 400	349x349
<input type="checkbox"/>	500 x 500	449x449
<input type="checkbox"/>	600 x 600	549x549

SQUARE NECK	
NOM. DUCT	H
10 X 10 (254 X 254)	4 (102)
14 X 14 (356 X 356)	6 (152)
18 X 18 (547 X 547)	8 (203)
22 X 10 (559 X 254)	4 (102)
22 X 22 (559 X 559)	10 (254)

NOTE:

- FIRE RATED 3 HOUR.
- UL CLASSIFIED FIRE RATED CEILING DIFFUSER ASSEMBLY. LISTED IN UNDERWRITERS LABORATORIES FIRE RESISTANCE DIRECTORY.
- ULC CLASSIFIED FIRE RATED CEILING DIFFUSER ASSEMBLY. LISTED IN UNDERWRITERS OF CANADA LABORATORIES LIST OF EQUIPMENT AND MATERIALS.
- DUCT: STEEL OR FLEXIBLE DUCT CONNECTIONS AS PER FIRE RATED DESIGN REQUIREMENTS.
- INSTALLATION INSTRUCTIONS: SEE SUBMITTAL 228791
- FIRE RATED DIFFUSERS ARE TO BE INSTALLED IN FIRE RATED T-BAR APPLICATIONS ONLY.

FINISH:

- B12 WHITE (OPTIONAL FINISHES AVAILABLE)

MATERIAL:

- PDDR - STEEL CONSTRUCTION

OPTIONS:

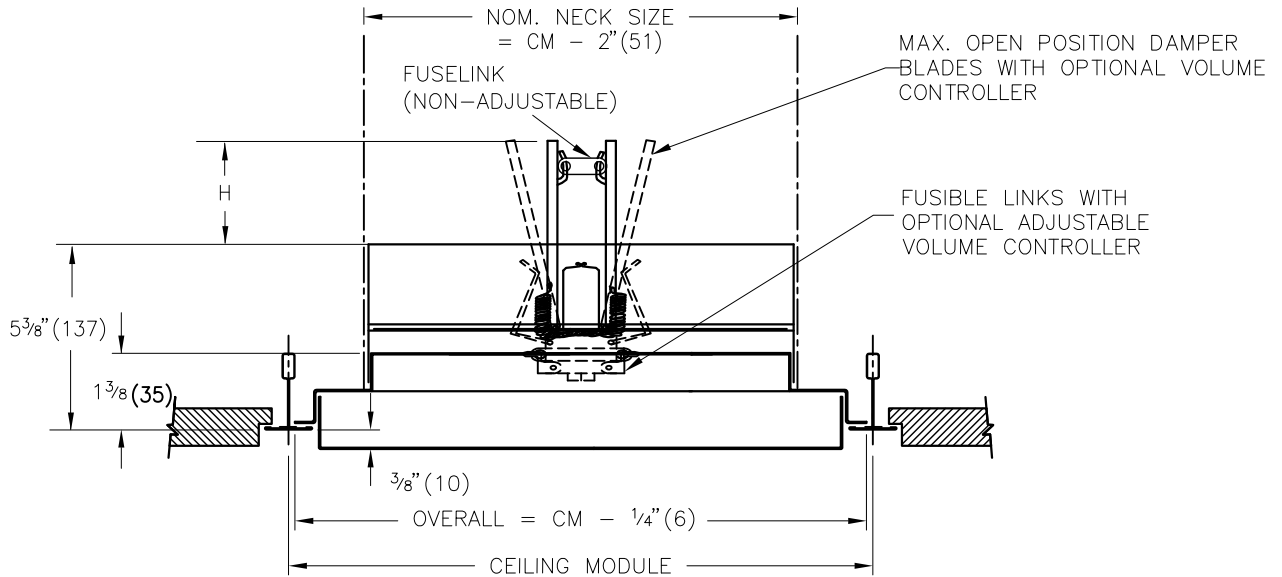
- ADJUSTABLE VOLUME CONTROLLER (ALLEN KEY ADJUSTABLE)
- 165°F (74°C) FUSIBLE LINK (STANDARD)
- 212°F (100°C) FUSIBLE LINK



ALL METRIC DIMENSIONS () ARE SOFT CONVERTED. IMPERIAL DIMENSIONS ARE CONVERTED TO METRIC AND ROUNDED TO THE NEAREST MILLIMETER.

PROJECT:		PRICE®
ENGINEER:	<i>MJ</i>	
CUSTOMER:		PDDR-FR
SUBMITTAL DATE:	SPEC. SYMBOL:	PLENUM RETURN PERF. FACE DIFFUSER MAXIMUM SQUARE NECK
		230757
		2015/03/31

PDDRE-FR PLENUM RETURN PERFORATED EXTENDED FACE FIRE RATED DIFFUSER ASSEMBLY



	CEILING MODULE (CM)	NECK SIZE (SQUARE)
<input type="checkbox"/>	12x12 (305x305)	10x10 (254x254)
<input type="checkbox"/>	24x12 (610x305)	22x10 (559x254)
<input type="checkbox"/>	16x16 (406x406)	14x14 (356x356)
<input type="checkbox"/>	20x20 (508x508)	18x18 (457x457)
<input type="checkbox"/>	24x24 (610x610)	22x22 (559x559)
<input type="checkbox"/>	300 x 300	249x249
<input type="checkbox"/>	600 x 300	549x549
<input type="checkbox"/>	400 x 400	349x349
<input type="checkbox"/>	500 x 500	449x449
<input type="checkbox"/>	600 x 600	549x549

SQUARE NECK	
NOM. DUCT	H
10 X 10 (254 X 254)	4 (102)
14 X 14 (356 X 356)	6 (152)
18 X 18 (547 X 547)	8 (203)
22 X 10 (559 X 254)	4 (102)
22 X 22 (559 X 559)	10 (254)

FINISH:

- B12 WHITE (OPTIONAL FINISHES AVAILABLE)

MATERIAL:

- PDDRE - STEEL CONSTRUCTION

OPTIONS:

- ADJUSTABLE VOLUME CONTROLLER (ALLEN KEY ADJUSTABLE)
- 165°F (74°C) FUSIBLE LINK (STANDARD)
- 212°F (100°C) FUSIBLE LINK

NOTE:

- FIRE RATED 3 HOUR.
- UL CLASSIFIED FIRE RATED CEILING DIFFUSER ASSEMBLY. LISTED IN UNDERWRITERS LABORATORIES FIRE RESISTANCE DIRECTORY.
- ULC CLASSIFIED FIRE RATED CEILING DIFFUSER ASSEMBLY. LISTED IN UNDERWRITERS OF CANADA LABORATORIES LIST OF EQUIPMENT AND MATERIALS.
- DUCT: STEEL OR FLEXIBLE DUCT CONNECTIONS AS PER FIRE RATED DESIGN REQUIREMENTS.
- INSTALLATION INSTRUCTIONS: SEE SUBMITTAL 228791
- FIRE RATED DIFFUSERS ARE TO BE INSTALLED IN FIRE RATED T-BAR APPLICATIONS ONLY.



ALL METRIC DIMENSIONS () ARE SOFT CONVERTED. IMPERIAL DIMENSIONS ARE CONVERTED TO METRIC AND ROUNDED TO THE NEAREST MILLIMETER.

PROJECT:		PRICE®	
ENGINEER:		 230758	PDDRE-FR PLENUM RETURN EXTENDED PERF. FACE MAXIMUM SQUARE NECK
CUSTOMER:			
SUBMITTAL DATE:	SPEC. SYMBOL:	2015/03/31	